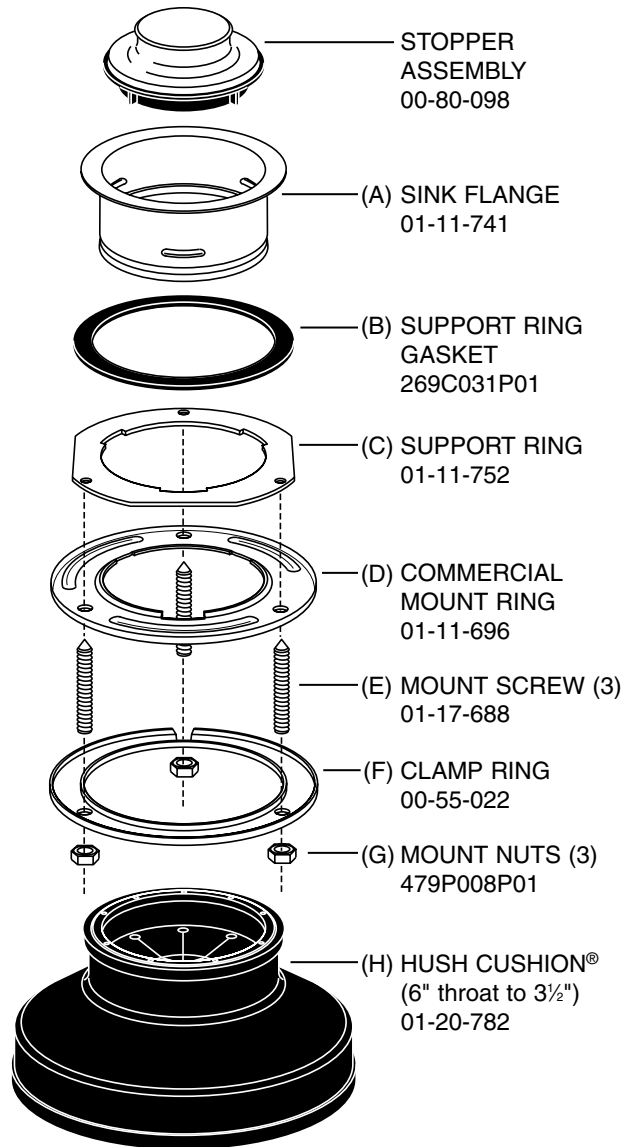


BEFORE INSTALLING, READ ENTIRE INSTRUCTIONS CAREFULLY

ASSEMBLY OF THE SINK FLANGE

(You will need plumber's putty)

- The sink mounting assembly consists of the following parts:
 - (A) Sink Flange P/N 01-11-741
 - (B) Support Ring Gasket P/N 269C031P01
 - (C) Support Ring P/N 01-11-752
 - (D) Mount Ring P/N 01-11-696
 - (E) Mount Screw P/N 01-17-688 (3)
- Pack underside of Sink Flange (A), using plumber's putty. Place Sink Flange in sink drain opening with name "Waste King" facing front of sink. **Do not rotate** Sink Flange once it is seated.
- Remove the 3 Mount Screws (E) from the accessory bag. Insert the 3 Mount Screws through the bottom side of Mount Ring (D). Mount Screws should be screwed slightly less than half way into the Mount Ring for sheet metal sinks, and less for cast iron or ceramic sinks.
- Next place the Support Ring (C) on top of the pointed end of Mount Screws. Then place Support Ring Gasket (B) on top of the Support Ring.
- Slide these pieces as a single assembly up so the notches in the Mount Ring and Support Ring slide over the protrusions in the Sink Flange. Rotate in a counter-clockwise direction (to the left) approximately 60°. This will allow the Mount Ring to rest on the protrusions. **DURING THIS STEP, FIRMLY HOLD THE SINK FLANGE DOWN IN THE SINK OPENING SO THAT THE PUTTY WILL NOT BE DISTURBED.**
- To assure a water-tight seal between the Sink Flange and sink – use a screwdriver and tighten the Mount Screws evenly. This will firmly seat the entire Sink Mounting assembly into the drain opening. **DO NOT TIGHTEN TOO MUCH** as this may bend the Support Ring making it difficult to hang the Disposer.
- In this step you will need:
 - (F) Clamp Ring P/N 00-55-022
 - (H) Hush Cushion® P/N 01-20-782
 Place Clamp Ring (F) in a 45° angle over the small opening of the Hush Cushion® (H) and apply slight force to get it through the opening. Clamp Ring should be located between the top grooves of the Hush Cushion®.



ATTACHING UNIT TO SINK FLANGE ASSEMBLY

- Lift the Hush Cushion® (adapter) assembly and slide the slotted opening of the Clamp Ring onto a Mount Screw.
- Press the Adapter up until the Clamp Ring slides over the two remaining Mount Screws.
- Thread one of the Mount Nuts (G) onto a Mount Screw two or three turns.
- Install the two remaining Mount Nuts and tighten all Mount Nuts securely.
- Move the disposer into position under the adapter.
- Raise the disposer, by turning the threaded support legs clockwise, until the upper housing enters the adapter approximately one inch.
- Make all drain connections to the disposer and install and tighten the clamp provided with disposer unit.
- Remove the plug marked "REMOVE BEFORE USING" from the center of the Hush Cushion® and check for leaks.