



Save Time and Money.

Replace any food waste disposer with a high speed Whirlaway Apartment Replacement Disposer. Our unique mount system allows installation without replacing the sink flange, saving time and money!

Our exclusive Adapter Collar saves 15 minutes or more on installation. Choose a reliable Whirlaway 1/3 Horsepower 191AP-PC or 1/2 Horsepower 291AP-PC, either one is the perfect choice for any Property Manager. New splash guard is included.

Our "Vortex Powered", permanent magnet motor outperforms the competition, and this powerful yet compact disposer is a real space saver where space is at a premium.

Attached power cord now included

- Adapter Allows Mounting to Any Sink Flange
- New Splash Guard Included
- Stainless Steel, Anti-Jam Swivel Impellers
- Corrosion-Proof Grind Chamber and Drain Housing
- Fast & Easy Mount System



SEPTIC SAFE

2 YEAR OVER THE COUNTER REPLACEMENT WARRANTY



see us at whirlaway.com

4240 E. La Palma Avenue • Anaheim, CA 92807 • 1-800-854-3229



SUBMITTAL SHEET

MODEL 191AP-PC • 1/3 H.P.

MODEL 291AP-PC • 1/2 H.P.

- Space saving compact design!
- Vortex Powered, permanent magnet motor produces more power per pound.
- Corrosion resistant grinding components.
- Fast & Easy Mount System provides for quick installation.
- New splash guard is included.
- Attached power cord included.
- Safe for properly sized septic tanks.
- Longest warranties in the industry demonstrates commitment to quality.

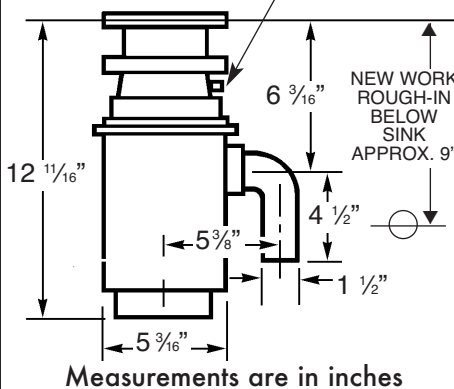


Two Year Over-the-Counter Replacement Warranty (see below).



DIMENSIONS

Knock-out for dishwasher drain connector sized for 7/8" I.D. rubber hose.



Measurements are in inches

SPECIFICATIONS

	191AP-PC	291AP-PC
Motor Horsepower	1/3 H.P.	1/2 H.P.
Motor Speed R.P.M.	1900	2600
Voltage	115	115
Hz	60	60
Current-Amps	4.0	4.0
Motor Type	Permanent Magnet	Permanent Magnet
Sink Flange	Stainless Steel & Celcon	Stainless Steel & Celcon
Stopper	Positive Seal	Positive Seal
Splash Guard	Removable	Removable
Waste Elbow	ABS	ABS
Feed	Continuous	Continuous
Grind Ring	Heavy Gauge Steel	Heavy Gauge Steel
Swivel Impellers	Stainless Steel	Stainless Steel
Turntable	Galvanized Steel	Galvanized Steel
Hopper	Glass Filled Nylon	Glass Filled Nylon
Grinding Chamber	Corrosion Proof Glass Filled Polyester	Corrosion Proof Glass Filled Polyester
Bearings	Permanently Lubricated; Sleeve Type	Permanently Lubricated; Sleeve Type
Overload Protector	Manual Reset Type	Manual Reset Type
Shipping Weight (lbs.)	8.1	8.1
Pallet Quantity	196	196

36" power cord is included with a 191AP-PC and 291AP-PC.

Whirlaway® Warranty

Any Whirlaway® Model 191AP-PC or 291AP-PC less than two years old that develops a material or mechanical defect will be replaced with a new like model free of charge.

Whirlaway® 4240 E. La Palma Avenue
 Anaheim, California 92807
 (800) 854-3229