

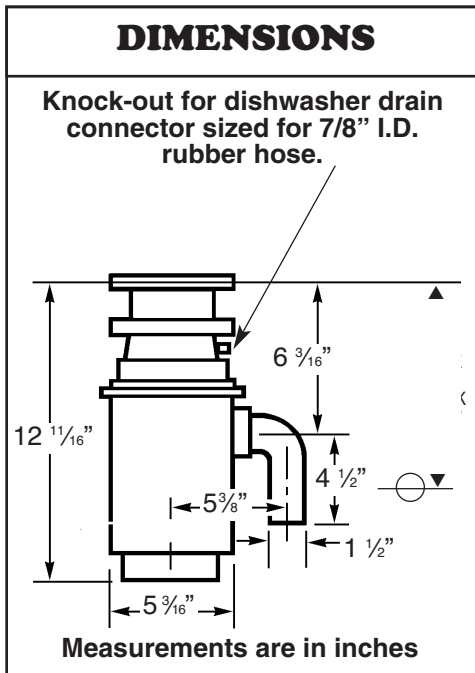


SUBMITTAL SHEET
MODEL 191 & 191PC* • 1/3 H.P.
BASIC BUILDERS DISPOSER

- Space saving compact design!
- High-speed 1900 r.p.m. permanent magnet motor produces more power per pound.
- Corrosion resistant grinding components.
- Fast and easy mount system provides a no hassle installation.
- Removable splash guard is included.
- Safe for properly sized septic tanks.
- Longest warranties in the industry demonstrate commitment to quality.



Two Year Over-the-Counter Replacement Warranty (see below).



SPECIFICATIONS

Motor Horsepower	1/3 H.P.
Motor Speed R.P.M.	1900
Voltage	115
Hz	60
Current-Amps	4.0
Motor Type	Permanent Magnet
Sink Flange	Stainless Steel & Celcon
Stopper	Positive Seal
Splash Guard	Removable
Waste Elbow	ABS
Feed	Continuous
Grind Ring	Heavy Gauge Galvanized Steel
Swivel Impellers	Stainless Steel
Turntable	Galvanized Steel
Hopper	Glass Filled Nylon
Grinding Chamber	Corrosion Proof Glass Filled Polyester
Bearings	Permanently Lubricated; Sleeve Type
Overload Protector	Manual Reset Type
Shipping Weight (lbs.)	8.73
Pallet Quantity	196

*36" power cord is included with a 191PC unit.

Whirlaway® Warranty

Any Whirlaway® Model 191 or 191PC less than 2 years old that develops a material or mechanical defect will be replaced with a new Whirlaway® Model 191 or 191PC free of charge.

Due to continued product improvement, system configurations and specifications may change without notice.



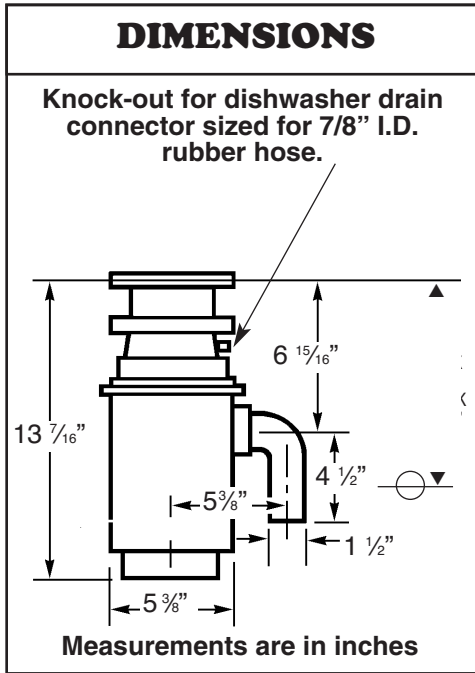


SUBMITTAL SHEET
MODEL 291 & 291PC* • 1/2 H.P.
BASIC BUILDERS DISPOSER

- Space saving compact design!
- High-speed 2600 r.p.m. permanent magnet motor produces more power per pound.
- Corrosion resistant grinding components.
- Fast and easy mount system provides a no hassle installation.
- Removable splash guard is included.
- Safe for properly sized septic tanks.
- Longest warranties in the industry demonstrate commitment to quality.



Two Year Over-the-Counter Replacement Warranty
 (see below).



SPECIFICATIONS

Motor Horsepower	1/2 H.P.
Motor Speed R.P.M.	2600
Voltage	115
Hz	60
Current-Amps	4.5
Motor Type	Permanent Magnet
Sink Flange	Stainless Steel & Celcon
Stopper	Positive Seal
Splash Guard	Removable
Waste Elbow	ABS
Feed	Continuous
Grind Ring	Heavy Gauge Galvanized Steel
Swivel Impellers	Stainless Steel
Turntable	Galvanized Steel
Hopper	Glass Filled Nylon
Grinding Chamber	Corrosion Proof Glass Filled Polyester
Bearings	Permanently Lubricated; Sleeve Type
Overload Protector	Manual Reset Type
Shipping Weight (lbs.)	8.90
Pallet Quantity	196

***36" power cord is included with a 291PC unit.**

Whirlaway® Warranty

Any Whirlaway® Model 291 or 291PC less than 2 years old that develops a material or mechanical defect will be replaced with a new Whirlaway® Model 291 or 291PC free of charge.

Due to continued product improvement, system configurations and specifications may change without notice.

4240 E. La Palma Avenue
 Anaheim, California 92807
 (800) 854-3229